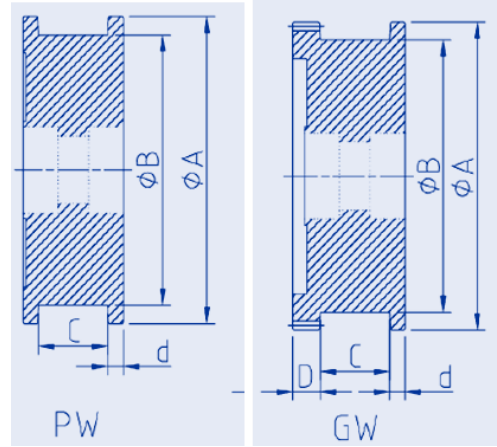
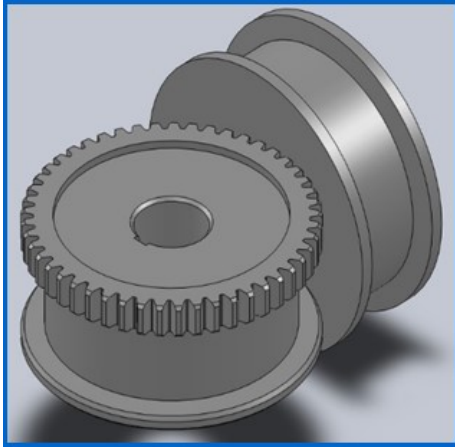


# 鞍座車輪組



相關尺寸(mm)

鞍座輪組型號	齒輪		A	B	C	D	d	軸承	軸徑	軌道		
	模數	齒數								Kg/m	面寬	倒角半徑
SWS1238M3X48-6306	3	48	150	120	38	26	11	6306Z	30	10	34.1	6.35
SWS1244M3X48-6306	3	48	150	120	44	25	11	6306Z	30	12	38.1	6.35
SWS1250M3X48-6306	3	48	150	120	50	27.5	12.5	6306Z	30	15	42.9	7.94
SWS1544M3X58-6307	3	58	180	150	44	25	11	6307Z	35	12	38.1	6.35
SWS1544M3X58-6308	3	58	180	150	44	25	11	6308Z	40	12	38.1	6.35
SWS1550M3X58-6308	3	58	180	150	50	27.5	12.5	6308Z	40	15	42.9	7.94
SWS1560M3X58-6308	3	58	180	150	60	27.5	12.5	6308Z	40	22	50.8	7.94
SWS1750M3X64-6308	3	64	198	170	50	27.5	12.5	6308Z	40	15	42.9	7.94
SWS1750M3.5X55-6308	3.5	55	200	170	50	27.5	12.5	6308Z	40	15	42.9	7.94
SWS1950M4X52-6308	4	52	216	185	50	30	15	6308Z	40	15	42.9	7.94
SWS2050M3.5X63-6309	3.5	63	228	200	50	30	15	6309Z	45	15	42.9	7.94
SWS2250M4X60-6309	4	60	248	220	50	30	15	6309Z	45	15	42.9	7.94
SWS2260M4X60-6309	4	60	248	220	60	30	15	6309Z	45	22	50.8	7.94
SWS2270M4X60-6309	4	60	248	220	70	30	15	6309Z	45	37	62.7	7.94
SWS2250M3.5X69-6309	3.5	69	249	220	50	30	15	6309Z	45	15	42.9	7.94
SWS2560M4X68-6310	4	68	280	250	60	30	15	6310Z	50	22	50.8	7.94
SWS2570M4X68-6310	4	68	280	250	70	30	15	6310Z	50	50	67.9	11.11
SWS3075M5X67-6311	5	67	345	300	75	47.5	17.5	6311Z	55	*	*	*
SWS3580M5X75-6314	5	75	385	350	80	40	20	6314Z	70	*	*	*
SWS4080M6X70-6314	6	70	432	400	80	45	20	6314Z	70	*	*	*
SWS5080M6X89-6316	6	89	546	500	80	50	20	6316Z	80	*	*	*

每組含 2 只有齒+2 只無齒輪