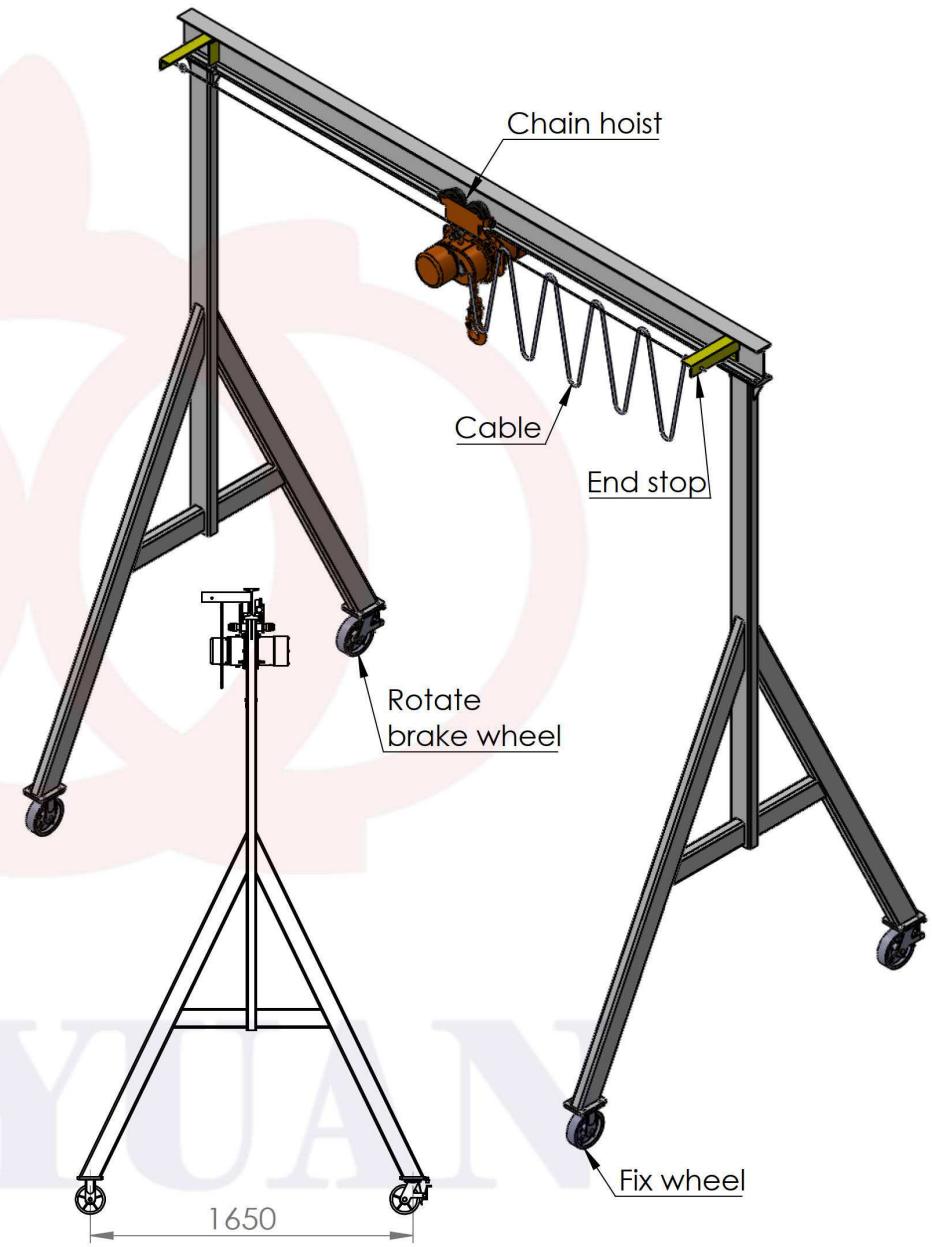
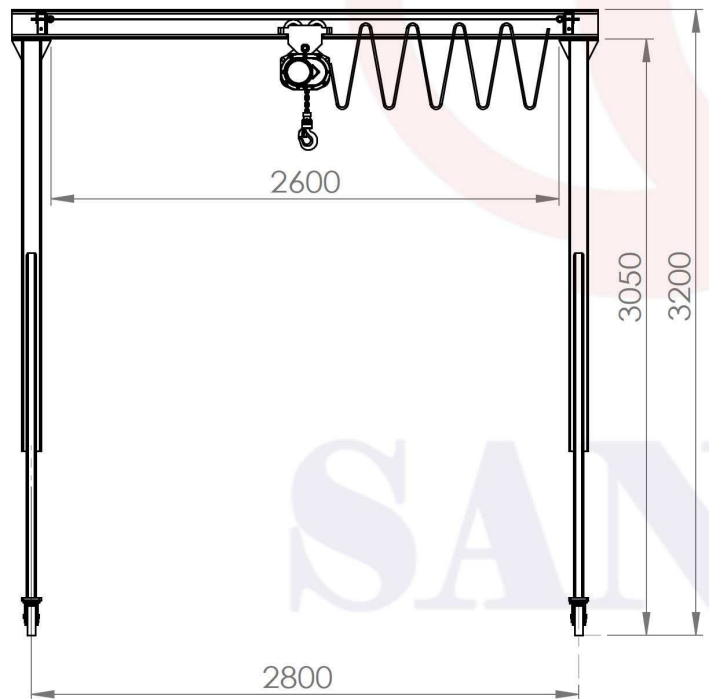


Steel Gantry Crane, Type: AMGC-1-1-3			
門型吊架 AMGC-1-3-3			
Rated Cap	1 ton		
額定荷重			
跨距	3 m	淨內距	2.6 m
Overall span		Clear span	
總高	3200 mm	淨內高	3050 mm
Overall height		Under beam height	
型鋼尺寸	I-150X75-17.1Kg/m=3m		
Beam size			
輪距	1650 mm	車輪中心距	2.8 m
Tread width		Wheel center distance	
車輪外徑	150 mm	車輪寬度	40 mm
Wheel diameter		Wheel width	
概略重量	200 Kg		
Approximate weight			2020-June-09

D
C
B
A



D
C
B
A

6 5 4 3 2 1